

ALL NEW MODEL! LIFTING MAGNET

ELM Series

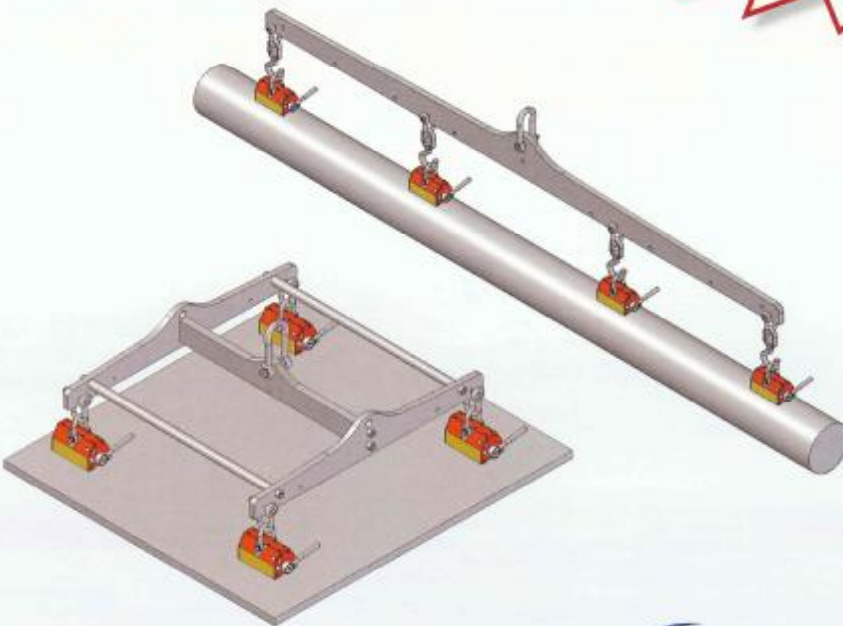


Light weight
Less dimension
Lower price

Convenient and efficiency for makes more profit

Safety Factor
3.5 times!

More power. More safety



ECE
EARTH-CHAIN
Power that works.



Power that works.
magnetic products

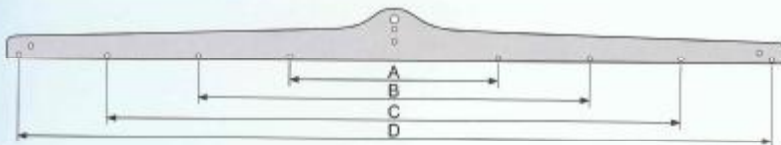
2009.02

ELM-L Series

ELM-L Spreader Bars

(This product doesn't include permanent lifting magnet "ELM Series", lifting magnets are optional according to your applications.)

- For better overall balance **Keeps large materials**
- Use with multiple lifters **balanced for safer transport.**
- Lifter span adjustable



Spreader bars help keep large or irregular loads under control during transport. You can increase your lifting power by adding more magnets.

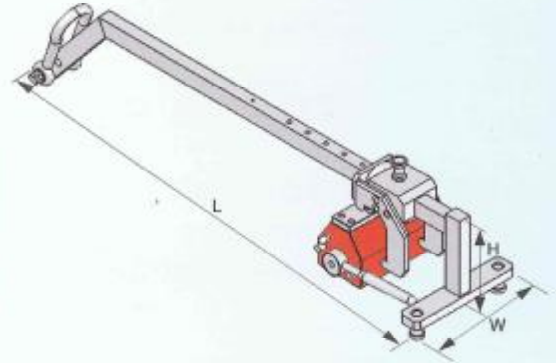
| Model | A | | B | | C | | D | | Weight | |
|-----------|-----|------|------|------|------|------|------|------|--------|-----|
| | mm | inch | mm | inch | mm | inch | mm | inch | kg | lbs |
| ELM-1000L | 600 | 23.6 | 900 | 35.4 | -- | -- | -- | -- | 16 | 35 |
| ELM-1600L | 700 | 27.6 | 1100 | 43.3 | 1500 | 59.1 | -- | -- | 25 | 55 |
| ELM-2000L | 700 | 27.6 | 1300 | 51.2 | 1900 | 74.8 | -- | -- | 57 | 125 |
| ELM-2600L | 700 | 27.6 | 1300 | 51.2 | 1900 | 74.8 | 2500 | 98.4 | 75 | 165 |
| ELM-3000L | 800 | 31.5 | 1500 | 59.1 | 2200 | 86.6 | 2900 | 114 | 86 | 189 |

ELM-V Series

EZ-Lift Material Handling Accessories

● ELM-V Vertical Lifters

(The device included a Lifting Magnet)



| Model | Size L x W x H | | Weight | |
|-----------|------------------|------------------|--------|-----|
| | mm | inch | kg | lbs |
| ELM-300V | 953 x 216 x 254 | 37.5 x 8.5 x 10 | 26 | 57 |
| ELM-600V | 1156 x 272 x 254 | 45.5 x 10.7 x 10 | 39 | 86 |
| ELM-1000V | 1207 x 343 x 305 | 47.5 x 13.5 x 12 | 58 | 128 |

- Fast loading for vertical transport
- One person can load and unload
- No dangerous straps & slings

Used for vertical transport of plate stock for fabricating, machining, etc.



Position lifter on stock and turn on magnet. Hoist into vertical position for transport. Always follow operating instructions included.



| Model | Plate Size (L x W x H min/max) | | | | | | | |
|-----------|----------------------------------|------|-------------|-----------|-------------|-------------|-------------|-------------|
| | Capacity | | L (min/max) | | W (min/max) | | H (min/max) | |
| | kg | lbs | mm | inch | mm | inch | mm | inch |
| ELM-300V | 300 | 660 | 200 / 1500 | 8 / 60 | 300 / 800 | 11.8 / 31.5 | 6 / 150 | 0.25 / 5.9 |
| ELM-600V | 600 | 1320 | 300 / 1800 | 12 / 72 | 300 / 1000 | 11.8 / 39.4 | 8 / 250 | 0.31 / 9.8 |
| ELM-1000V | 1000 | 2200 | 300 / 2000 | 12.5 / 79 | 300 / 1000 | 11.8 / 39.4 | 10 / 300 | 0.39 / 11.8 |

ELM Series

LOAD OF HOLDING POWER

The load of holding power will change depending on the thickness, attractive face roughness and quality of material and clearance between the workpiece with magnet. (See as the graphs as below)

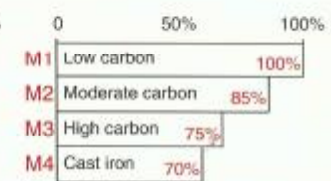
Chart of difference in holding power by thickness

| | Thickness | | Percentage of lifting capacity | | | | | |
|-----|-----------|----------|--------------------------------|----------|----------|---------|---------|---------|
| | mm | inch | ELM-3000 | ELM-2000 | ELM-1000 | ELM-600 | ELM-300 | ELM-100 |
| T1 | up 60 | up 2.36" | 100% | 100% | 100% | 100% | 100% | 100% |
| T2 | 55 | 2.16" | 95% | 100% | 100% | 100% | 100% | 100% |
| T3 | 50 | 1.97" | 90% | 95% | 100% | 100% | 100% | 100% |
| T4 | 45 | 1.77" | 85% | 90% | 100% | 100% | 100% | 100% |
| T5 | 40 | 1.57" | 80% | 85% | 100% | 100% | 100% | 100% |
| T6 | 35 | 1.38" | 70% | 75% | 90% | 100% | 100% | 100% |
| T7 | 30 | 1.18" | 60% | 65% | 80% | 90% | 100% | 100% |
| T8 | 25 | 0.98" | 50% | 55% | 70% | 90% | 100% | 100% |
| T9 | 20 | 0.79" | 40% | 45% | 60% | 75% | 90% | 100% |
| T10 | 15 | 0.59" | 30% | 35% | 50% | 60% | 70% | 100% |
| T11 | 10 | 0.39" | 20% | 25% | 35% | 45% | 50% | 70% |
| T12 | 5 | 0.20" | 10% | 15% | 20% | 25% | 30% | 40% |

Chart of difference in holding power by attractive face roughness For all models



Chart of difference in holding power by material quality For all models



Calculating Formula for "Range of Lifting Capacity" → (TxFxMxCapacity of Lifter)

Example:
Terms of workpiece: T8, F1 and M2
90% x 125% x 85% x 600kg (ELM-600)=573KG

SAFETY FACTOR x 3.5 times

The capacity of magnet indicated as 1/3.5 of holding power, it means the real holding power is 3.5 times of capacity. For example the capacity of ELM-600 is 600kg (1320lbs) but the real holding power is 2100kg (4620lbs).

The large safety coefficient is consideration for ensuring the use in safety.

MAXIMUM LIFTING RANGE

| MODEL | Max. lifting capacity | | Min. thickness required | | Max. lifting capacity | | Max. diameter | | Maximum length | |
|----------|-----------------------|------|-------------------------|-------|-----------------------|------|---------------|-------|----------------|------|
| | kg | lbs | mm | inch | kg | lbs | mm | inch | mm | inch |
| ELM-100 | 100 | 220 | 15 | 0.59" | 45 | 99 | 150 | 5.9" | 1000 | 40" |
| ELM-300 | 300 | 660 | 25 | 0.98" | 135 | 300 | 250 | 9.8" | 1500 | 60" |
| ELM-600 | 600 | 1320 | 30 | 1.18" | 270 | 600 | 350 | 13.8" | 2000 | 80" |
| ELM-1000 | 1000 | 2200 | 40 | 1.57" | 450 | 990 | 450 | 17.8" | 2500 | 98" |
| ELM-2000 | 2000 | 4400 | 55 | 2.16" | 900 | 1980 | 550 | 21.6" | 3000 | 118" |
| ELM-3000 | 3000 | 6600 | 60 | 2.36" | 1350 | 2970 | 650 | 25.6" | 3500 | 138" |

The above diagrams is only for reference. The operator should be test and check if it is in safe range before lift away the workpiece of steel. Other wise, it will be not responsibility by producer for any accidents.

ELM Series

● FEATURES

1. Made by "Rare Earth" magnet with technology of improvement.
2. All new models with "light weight" "less dimension" and "lower price".
3. Made by permanent magnet, require no power supply, thus eliminating hazards due to failure wiring system as electric type.
4. It features powerful magnetic force, with 3.5 times safety coefficient makes more safety in use.

● APPLICATIONS

Suitable for move plate steel, block steel and round steel, such as machine parts, press molds, plastic molds and iron materialetc.



EXAMPLE IN USE



● OPERATIONS

With ON/OFF switch, it is very easy and convenient to operate. See as the example pictures as below

ON



OFF



Notice: Never moves the handle to "ON" side, except on an iron object of holding.

ELM Series



ELM-1000



ELM-300



ELM-600



ELM-100

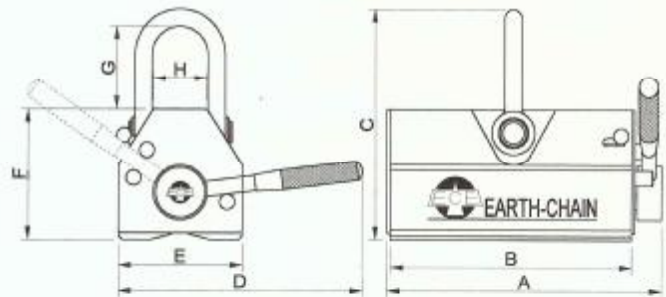


ELM-2000



ELM-3000

6 models are available



DIMENSIONS

| MODEL | Capacity | | A | | B | | C | | D | | E | | F | | G | | H | | Weight | | SAFETY FACTOR |
|----------|----------|------|-----|------|-----|------|-----|------|-----|------|-----|------|-----|------|-----|------|-----|------|--------|------|---------------|
| | kg | lbs | mm | inch | mm | inch | mm | inch | mm | inch | mm | inch | mm | inch | mm | inch | mm | inch | kg | lbs | |
| ELM-100 | 100 | 220 | 107 | 4.2 | 84 | 3.3 | 120 | 4.7 | 125 | 4.9 | 60 | 2.4 | 71 | 2.8 | 41 | 1.6 | 30 | 1.2 | 2.5 | 5.5 | x 3.5times |
| ELM-300 | 300 | 660 | 180 | 7.1 | 155 | 6.1 | 156 | 6.1 | 185 | 7.3 | 90 | 3.6 | 93 | 3.7 | 51 | 2.0 | 41 | 1.6 | 8.6 | 18.9 | |
| ELM-600 | 600 | 1320 | 255 | 10 | 224 | 8.8 | 212 | 8.3 | 260 | 10.2 | 115 | 4.5 | 120 | 4.7 | 77 | 3.0 | 52 | 2.0 | 21 | 46 | |
| ELM-1000 | 1000 | 2200 | 280 | 11 | 245 | 9.6 | 286 | 11.3 | 371 | 14.6 | 165 | 6.5 | 169 | 6.7 | 97 | 3.8 | 87 | 3.4 | 46 | 101 | |
| ELM-2000 | 2000 | 4400 | 422 | 16.6 | 380 | 15 | 348 | 13.7 | 512 | 20.2 | 216 | 8.5 | 215 | 8.5 | 105 | 4.1 | 121 | 4.8 | 118 | 259 | |
| ELM-3000 | 3000 | 6600 | 566 | 22.3 | 530 | 20.9 | 400 | 15.7 | 770 | 30.3 | 216 | 8.7 | 222 | 8.7 | 147 | 5.8 | 80 | 3.2 | 181 | 399 | |

ELM Series



ELM-1000



ELM-300



ELM-600



ELM-100

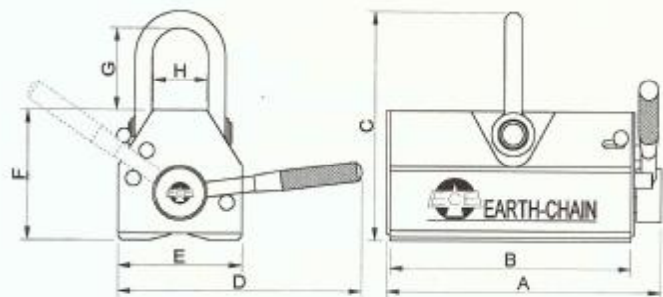


ELM-2000



ELM-3000

6 models are available



DIMENSIONS

| MODEL | Capacity | | A | | B | | C | | D | | E | | F | | G | | H | | Weight | | SAFETY FACTOR |
|----------|----------|------|-----|------|-----|------|-----|------|-----|------|-----|------|-----|------|-----|------|-----|------|--------|------|---------------|
| | kg | lbs | mm | inch | mm | inch | mm | inch | mm | inch | mm | inch | mm | inch | mm | inch | mm | inch | kg | lbs | |
| ELM-100 | 100 | 220 | 107 | 4.2 | 84 | 3.3 | 120 | 4.7 | 125 | 4.9 | 60 | 2.4 | 71 | 2.8 | 41 | 1.6 | 30 | 1.2 | 2.5 | 5.5 | × 3.5times |
| ELM-300 | 300 | 660 | 180 | 7.1 | 155 | 6.1 | 156 | 6.1 | 185 | 7.3 | 90 | 3.6 | 93 | 3.7 | 51 | 2.0 | 41 | 1.6 | 8.6 | 18.9 | |
| ELM-600 | 600 | 1320 | 255 | 10 | 224 | 8.8 | 212 | 8.3 | 260 | 10.2 | 115 | 4.5 | 120 | 4.7 | 77 | 3.0 | 52 | 2.0 | 21 | 46 | |
| ELM-1000 | 1000 | 2200 | 280 | 11 | 245 | 9.6 | 286 | 11.3 | 371 | 14.6 | 165 | 6.5 | 169 | 6.7 | 97 | 3.8 | 87 | 3.4 | 46 | 101 | |
| ELM-2000 | 2000 | 4400 | 422 | 16.6 | 380 | 15 | 348 | 13.7 | 512 | 20.2 | 216 | 8.5 | 215 | 8.5 | 105 | 4.1 | 121 | 4.8 | 118 | 259 | |
| ELM-3000 | 3000 | 6600 | 566 | 22.3 | 530 | 20.9 | 400 | 15.7 | 770 | 30.3 | 216 | 8.7 | 222 | 8.7 | 147 | 5.8 | 80 | 3.2 | 181 | 399 | |